

## Aliva®-302

### Telescope Spraying Arm

#### Product Description

The telescope spraying arm Aliva®-302 is used for the application of sprayed concrete in mines, small galleries and excavations.



#### Uses

Thanks to its simple and rigid construction, the Aliva®-302 is very suitable for the mounting onto different types of carriers.

The telescope spraying arm Aliva®-302 is available in 2 different types:

- Typ PROP  
Electric remote control (wireless remote control optional) hydraulic aggregate with electric motor
- Typ AIR  
Hydraulic remote control, hydraulic aggregate with air motor

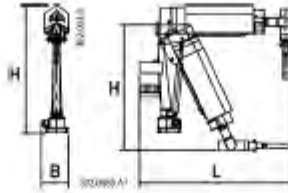


## Product Data

## Technical Data

### Dimensions

### Aliva-302 PROP



|                          |                |
|--------------------------|----------------|
| Transport length         | 2.45 m         |
| Transport width          | 0.5 m          |
| Transport height         | 2.0 m          |
| Weight arm               | approx. 550 kg |
| Weight aggregate (empty) | approx. 200 kg |

### Hydraulic System

#### Electric

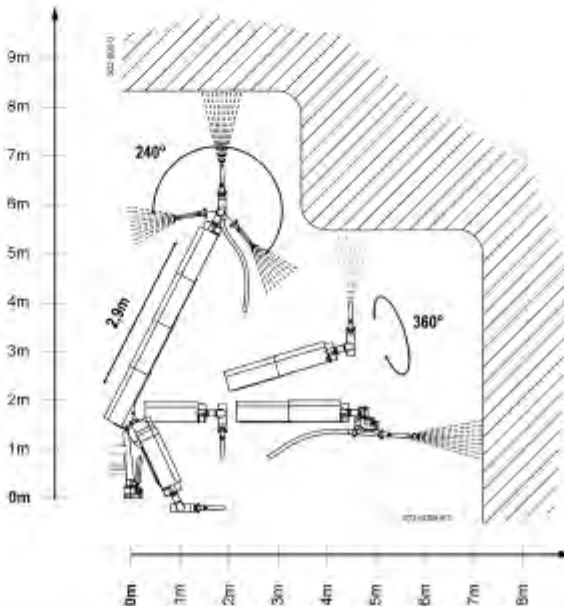
|              |  |
|--------------|--|
| Motor output | 5.5 kW                                       |
| Voltages     | 400 V 50/60 Hz<br>440 V 60 Hz<br>220 V 50 Hz |

|                           |           |
|---------------------------|-----------|
| Protection                | IP 43     |
| Oil pressure              | 180 bar   |
| Oil quantity (big pump)   | 21 l/min. |
| Oil quantity (small pump) | 3 l/min.  |
| Tank volume               | 70 litres |




#### With air motor

|                            |                           |
|----------------------------|---------------------------|
| Motor output               | 7.5 kW                    |
| Pressure                   | 4.5 bar                   |
| Air consumption            | 6,8 Nm <sup>3</sup> /min. |
| Oil pressure               | 180 bar                   |
| Oil quantity (only 1 pump) | 20 l/min.                 |

### Working Range



# Tunneling & Mining

| Movement      |   |         |
|---------------|---|---------|
| Arm stroke    |   | 2,9 m   |
| Arm rotation  |   | 360°    |
| Spraying head |  | 360°    |
| Spraying head |  | 240°    |
| Nozzle        |  | endless |

| Accessories | Standard                       |            | Option         |          |
|-------------|--------------------------------|------------|----------------|----------|
|             | Remote control (AIR) hydraulic | 5,5 m hose | Remote control | wireless |
|             | Remote control (PROP) electric | 15 m cable |                |          |

## Health and Safety Information

|                        |  |
|------------------------|--|
| <b>Important Notes</b> | For the safe, correct operation of the unit please consult the current machine operating manual . Sika Schweiz AG cannot accept any liability for injury or damages caused by improper use, incorrect or inadequate operation, maintenance or repairs. |
|------------------------|--|

## Legal Disclaimer

The information, and, in particular, the recommendations relating to the application and end-use of Sika products, are given in good faith based on Sika's current knowledge and experience of the products when properly stored, handled and applied under normal conditions in accordance with Sika's recommendations. In practice, the differences in materials, substrates and actual site conditions are such that no warranty in respect of merchantability or of fitness for a particular purpose, nor any liability arising out of any legal relationship whatsoever, can be inferred either from this information, or from any written recommendations, or from any other advice offered. The user of the product must test the product's suitability for the intended application and purpose. Sika reserves the right to change the properties of its products. The proprietary rights of third parties must be observed. All orders are accepted subject to our current terms of sale and delivery. Users must always refer to the most recent issue of the local Product Data Sheet for the product concerned, copies of which will be supplied on request.



**Authorized Distributors:**  
**Multicrete Systems Inc.**  
**Unit 9-106 De Vos Road**  
**Winnipeg, Manitoba**  
**R3T5Y1**

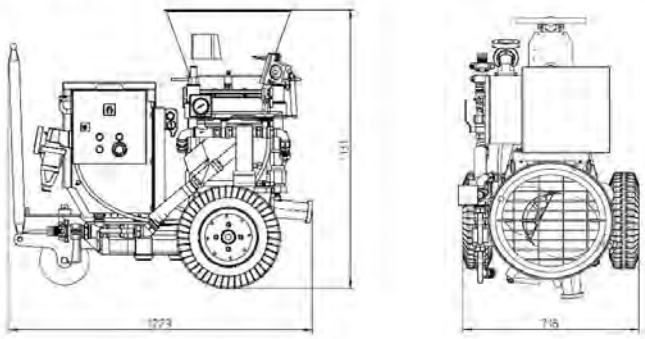


# Aliva®-237

## Concrete Spraying Machine

|                    |   |
|--------------------|---|
| <b>Description</b> | The Aliva-237 is a sturdy concrete spraying machine for wet and dry spraying process.   |
| <b>Uses</b>        | Thanks to its variable output, the Aliva-237 can be used for small jobs, such as joint filling, as well as for extensive slope consolidation work.<br>The Aliva-237 is available in the following versions: <ul style="list-style-type: none"> <li>■ STANDARD<br/>Electric drive, single speed</li> <li>■ TOP<br/>Electric drive, with FC for variable rotor speed</li> <li>■ AIR<br/>With air drive, variable rotor speed</li> </ul> |

### Technical data

|                   |   |
|-------------------|---|
| <b>Dimensions</b> | <b>With chassis</b>   |
|                   |   |
| Length L          | STANDARD / AIR 1229 mm<br>TOP 1229 mm   |
| Width             | 718 mm  |
| Height H          | with rotor 0,7 + 2,0 L 980 mm<br>with rotor 3,6 L 1050 mm<br>with rotor 5,6 L 1130 mm |
| Weight            | STANDARD / AIR approx. 320 kg<br>TOP approx. 450 kg                                   |
| Content of hopper | 40 liters   |



|              |                                    |                              |   |
|--------------|------------------------------------|------------------------------|---|
| <b>Drive</b> | <b>Electric (STANDARD / TOP)</b>   | <b>With air motor (AIR)</b>  |   |
|              | Motor output                       | 2,2 kW                       | Only 4 <sup>th</sup> Quarter 2010 available |
|              | Speed range                        |                              |   |
|              | STANDARD                           | 50Hz1500 rpm<br>60Hz1800 rpm |   |
|              | TOP                                | 700-1800 rpm                 |   |
|              | Voltages                           |                              |   |
| STANDARD     | 380-415 V 50 Hz<br>400/440 V 60 Hz |                              |   |
| TOP          | 380-480 V 50/60 Hz                 |                              |   |
| Protection   | IP 55 / IP 65 (FC)                 |                              |   |

| <b>Theoretical conveying</b> | <b>Conveying (only dry)</b> |           |                                     |         |               |  |
|------------------------------|-----------------------------|-----------|-------------------------------------|---------|---------------|--|
|                              | Rotor L                     | Hose Ø mm | Conveying output *m <sup>3</sup> /h |         | max. grain mm | max. conveying distance (m)<br>horizontal / vertical |
|                              |                             |           | STANDARD                            | TOP     |               |  |
|                              | 0,7                         | 32        | 0,4                                 | 0,2-0,5 | 6             | 150/60 m**   |
|                              | 2,0                         | 32 + 38   | 1,1                                 | 0,6-1,4 | 12            |  |
|                              | 3,6                         | 32 + 38   | 2,0                                 | 1,1-2,5 | 12            |  |
| 5,6                          | 50                          | 3,2       | 1,7-4,0                             | 16      |               |  |

\* with theoretical filling degree of 100%, if motor with 60 Hz = 20% higher conveying capacity.

\*\* more than 80 m conveying distance, use steel tubes.

| <b>Theoretical air consumption</b> | Hose Ø mm | Air consumption Nm <sup>3</sup> /min. *** |   | <p>*** Air consumption data are approximate values and are depending on conveying output, conveying distance and hose diameter.</p> <p>Caution:<br/>For the configuration AIR (with air motor) it has to be considered:<br/>Total air consumption =<br/>Air consumption for conveying + Air consumption for air motor!<br/>1 Nm<sup>3</sup>/min = 35 cfm</p> |
|------------------------------------|-----------|---|---|--|
|                                    |           | Dry spraying                              |   |  |
|                                    | 60 m      | 120 m                                     |   |  |
|                                    | 32        | 3   | 4 |  |
| 38                                 | 5         | 6   |   |  |
| 50                                 | 8         | 10  |   |  |

## Safety instructions

|                                     |   |
|-------------------------------------|---|
| <b>Important safety regulations</b> | For the safe, correct operating of the unit please consult the current machine operating manual. Sika Schweiz AG cannot accept any liability for injury or damages caused by improper use, incorrect or inadequate operation, maintenance or repairs. |
|-------------------------------------|---|

### Legal references

Information given, in particular suggestions made for use and application of our products are based on our current knowledge and experience in the normal case at the time of printing. In practice, the difference in materials, substrates and environmental conditions can cause deviation from this information.

Sika guarantees for its products the compliance of technical characteristics according to the Technical Data Sheets up to expiry of shelf life. Users of the products must always consult the latest edition of Technical Data Sheet under «[www.sika.com](http://www.sika.com)». Our current General Conditions are applicable.



Aliva-237 TOP



**Authorized Distributors:**  
**Multicrete Systems Inc.**  
**Unit 9-106 De Vos Road**  
**Winnipeg, Manitoba R3T5Y1**  
**204-262-5900**





**Aliva-257**  
Betonspritzmaschine  
Concrete Spraying Machine



**Innovation & Consistency** | since 1910

## Geschichte

Seit über einem halben Jahrhundert ist Sika involviert in der Herstellung von Rotor-Maschinen für Spritzbeton. In den Anfangsjahren von Aliva wurden noch Schneckenpumpen und Rotormaschinen hergestellt, bis dann in den 60-er Jahren die Rotormaschine die Schneckenpumpe endgültig ablöste. Seither wurden kontinuierlich Verbesserungen und Weiterentwicklungen an Aliva Rotormaschinen vorgenommen. 2010, zum 100-jährigen Jubiläum der Sika AG, kann Aliva die neueste Generation der Rotormaschinen vorstellen.

Aliva equipment ist bekannt für unübertroffene Qualität und Funktionalität der Beton-Spritzmaschinen, welche von über 70 Vertretungen weltweit verkauft, beraten und betreut werden. Nebst dem Unternehmensbereich der Bauindustrie ist Aliva auch eine der führenden Hersteller von Konverterspritzanlagen für die Stahlindustrie und Spezialanlagen auf TBM's.

## History

Since more than half a century Sika is involved in the production of rotor machines for shotcrete, sprayed concrete. In the early years, Aliva produced screw pumps and rotor machines until the 60ties, when the rotor machines took the upper hand and removed the screw pumps. Ever since the rotor machines of Aliva underwent continuous improvements and developments. In 2010, to the 100year anniversary of Sika AG, Aliva is able to introduce the newest generation of rotor machines.

Aliva equipment is known for superior quality and functionality of its machines, which are represented by more than 70 distributor's world wide. Aside the rotor machines for the construction industry, Aliva is one of the leading producers of equipment for the refractory-, steel industry and special equipment for TBM's.



### Trocken- und Nassspritzen

Mit der neu entwickelten, universellen AL-257, ist Trocken- und Nassspritzen gleichwertig möglich. Es ist kein Umbau der Maschine notwendig um von Trocken- auf Nassspritzen zu wechseln. Für den Wechsel von Nass- zu Trockenspritzen, muss die Maschine gereinigt und getrocknet werden. Die ausgereifte Entlüftung und ein neu konzipiertes Trichtersystem lassen hohe Füllungsgrade zu, welche zu pulsationsfreiem Spritzen und geringem Rückprall führen.

### Dry- and Wetshotcrete

With the newly developed, universal AL-257, dry- and wet shotcrete are equally possible. No changing on the machine from dry to wet shotcrete has to be performed. For changing from wet to dry shotcrete, the machine has to be cleaned and dried up. The integrated exhaust system and a newly designed hopper allow a high filling degree of the rotor chambers, which leads to low pulsation and less rebound.

### Eingebaute Komponenten

Die AL-257 verfügt über eine eingebaute, automatische Schmierung der Rotorplatten. Die Rotorgeschwindigkeit wird mittels einem Frequenz-Umformer reguliert und kann so, jeder entsprechenden Arbeit angepasst werden. Die Maschine verfügt über einen Not-Aus Knopf, welcher den Rotor und die Förderluft stoppt. Dies ermöglicht gefahrloses Arbeiten mit der AL-257 und entspricht sämtlichen Normen der EU.

### Built in components

The AL-257 is equipped with a fully automatic lubrication system for the rotor-discs. The rotor-speed is adjusted with a frequency converter and therefore, can be adjusted to every specific need on the job. The machine has an emergency button which stops the turning of the rotor and closes the main valve of the air supply. This enables working free of danger and complies with the new EU standard.

### Einsatz und Fördermengen

Mit nur 750 kg und kompakten Abmessungen passt die AL-257 auf jede Baustelle, kann einfach manövriert werden und passt sich den Gegebenheiten ideal an. Ein enormes Leistungsvermögen von 0.7–9.6 m<sup>3</sup>/h ermöglicht ein durchwegs wirtschaftliches Arbeiten. Sei es eine dünn-schichtige Sanierung mit dem 2.5 l Rotor bis hin zur Baugrubensicherung mit dem 12 l Rotor, die AL-257 ist immer die richtige Maschine.

### Application and conveying capacity

With a weight of just 750 kg and compact measurements, the AL-257 fits on every site, is easy to handle around and adjusts itself to every application. With a huge spectrum of conveying capacity from 0.7–9.6 m<sup>3</sup>/h, there is no work which could not be conducted economically. Is it for thin layer concrete renovation with the 2.5 l rotor up to slope protection of an excavation with the 12 l rotor, with the AL-257 one has always the right equipment at hand.

### Dichtungssystem

Die mit Rotoren aus hochwertigem Aluminium ausgerüstete Maschine hat auch das neue Stahl- auf Stahl Dicht- und Verschleissystem standardmässig integriert. Erfahrungen haben gezeigt, dass bis zu 10 mal weniger Verschleiss auftritt, abhängig von Material, Fördermenge, Schlauchdurchmesser und Luftzufuhr! Dies führt zu weniger Stillstandzeiten, geringeren Verschleisskosten und somit zu wirtschaftlicherem Arbeiten.

### Sealing system

The machine is equipped with rotors made of high tec aluminium and is operating with steel-on steel wear- and rotor plates. Experience has shown up to 10 times less wear on the steel plates, depending on material, output capacity, hose diameter and compressed air supply! This again leads to less standstill time and wear-cost and therefore to more economical spraying operation.



## Anwendungen

Die AL-257 ist die universelle Maschine zum Verarbeiten von Trocken- und Nassspritzbeton im Dünnstromverfahren. Das neue, sehr kompakte Aussehen der Maschine besticht durch seine Abmessungen, Gewicht und Leistungsvermögen. Mit nur 750 kg und Abmessungen wie eine kleine Trockenspritzmaschine passt sie auf jede Baustelle und kann einfach installiert und bedient werden. Mit einem unglaublichen Leistungsspektrum von 0.7–9.6 m<sup>3</sup>/h (mit 3 Rotorgrößen) arbeitet die Maschine an kleineren Sanierungsarbeiten genau so effizient wie an grossen Baugrubensicherungen oder im Bergbau. Weniger Unterhaltsarbeiten und Verschleiss machen sie zur idealen Maschine für sämtliche Spritzbetonarbeiten.

Anwendungsbereiche:

### Nass- und Trockenspritzbeton

- Betonsanierungen
- Fugenverfüllungen
- Schwimmteiche, Schwimmbecken
- Hangsicherungen, Fellsicherungen
- Kanalsanierungen
- Bergbau, Tunnelbau



Betonsanierungen mit Spritzbeton im Trockenspritzverfahren garantieren eine gute Haftung des Materials und eine ausgezeichnete Verdichtung. Je nach Anforderung kann die AL-237, die AL-257 oder die AL-267 eingesetzt werden.

Concrete renovation with sprayed concrete in the dry-shotcrete method guarantees for good bond strength and impeccable compaction. Depending on the requirement one of the Aliva machines is the right one for your application (AL-237, AL-257, AL-267).



Die AL-267 im Einsatz auf einer Tunnelbohrmaschine (TBM) bei der Kieshinterfüllung von Tübbing. Ausgerüstet mit einer Spezialfernbedienung, zwei Anzeigen und einer automatischen Stopperabschaltung machen Aliva zum Pionier bei der Weiterentwicklung von Rotormaschinen für den Einsatz auf TBM's.

The AL-267 is working on a TBM for gravel back-filling of the segmental-lining. Equipped with a special remote control with two displays and automatic blockage recognition is making Aliva once more to a pioneer for rotor-machines on TBM's.

## Application

The AL-257 is the universal machine for the application of dry- and wet shotcrete in the thin-stream method. The new and very compact design of the machine impresses through its dimensions, weight and performance. With just 750 kg and dimensions as little as a small dry shotcrete machine, the AL-257 fits on every job site and is easy to install and operate. With its unbelievable output capacity range from 0.7–9.6 m<sup>3</sup>/h (with 3 rotor sizes) the machine works on small concrete renovation work as efficient as on big slope protection or in mines. Less maintenance and wear cost makes it the ideal shotcrete machine for all applications.

Fields of application:

### Wet- and dry shotcrete application

- Concrete renovation
- Joint-fillings
- Swimming ponds, swimming pools
- Slope protection, rock consolidation
- Canal-renovation (sewage)
- Mining and tunnel applications



Der Spritzmanipulator AL-302 aufgebaut auf einem Kleinbagger ist die ideale Kombination um mit der AL-267 eine grosse Leistung, bis zu 21 m<sup>3</sup> pro Stunde, zu fördern. Baugruben- und Fellsicherungen sowie andere Anwendungen können damit effizient und ökonomisch ausgeführt werden.

The shotcrete manipulator AL-302 mounted on a small excavator is the ideal combination in order to run the AL-267 with high, up to 21 m<sup>3</sup> per hour, output. With this combination, slopes, excavations and rock can be protected in an efficient and economical way.



Aliva setzt auch neue Massstäbe bei der Produktion von kundenspezifischen Anlagen im Tunnelbau und der Industrie. Für Spritzbetonapplikationen, Kieshinterfüllung oder für Unterhaltsarbeiten in der Stahl- oder Zementindustrie, Aliva hat immer die passende Antwort.

Aliva sets new standards for the production of customer specific equipment for sprayed concrete in tunnels, backfilling of gravel or for the maintenance of the steel- and cement-industry. Aliva has always the right answer.

**Authorized Distributors:**  
**Multicrete Systems Inc.**  
 Unit 9-106 De Vos Road  
 Winnipeg, Manitoba R3T5Y1  
 204-262-5900



BR0071de017100-Sika Schweiz AG



**Innovation & Consistency** | since 1910

## Technische Daten / Technical Data



| Theoretische Fördermenge / Theoretical conveying capacity |                                      |   |                              |                                       |  |                      |                              |                      |
|---|--------------------------------------|---|------------------------------|---------------------------------------|--|----------------------|------------------------------|----------------------|
|   |                                      | Fördermenge in *m³/h<br>Conveying output in *m³/h |                              | Max. Korngröße<br>Max. aggregate size | Max. Förderdistanz **<br>Max. conveying distance** |                      |                              |                      |
| Rotor Liter<br>Rotor litre                                | Schlauchdurchmesser<br>Hose diameter | Trockenspritzen<br>Dry spraying                   | Nassspritzen<br>Wet spraying | mm                                    | Trockenspritzen<br>Dry spraying                    |                      | Nassspritzen<br>Wet spraying |                      |
|   |                                      |   |                              |                                       | horizontal<br>horizontal                           | vertikal<br>vertical | horizontal<br>horizontal     | vertikal<br>vertical |
| 2.5   | 32 / 38 mm                           | 0.7 – 2.0   | 0.7 – 2.0                    | 12                                    | 300 m  | 100 m                | 30 – 60 m                    | 20 – 40 m            |
| 6   | 38 / 50 mm                           | 1.9 – 5.0   | 1.9 – 5.0                    | 12 – 16                               |  |                      |                              |                      |
| 12  | 50 / 60 / 65 mm                      | 3.6 – 9.6   | 3.6 – 9.6                    | 16 – 20                               |  |                      |                              |                      |

\*Mit theoretischem Rotorfüllgrad von 100% / with a theoretical rotor filling degree of 100%

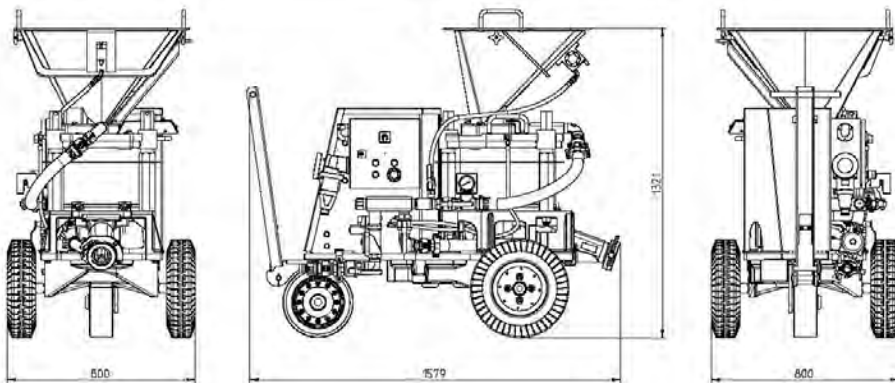
\*\*Bei mehr als 100 m Förderdistanz empfehlen wir Stahlrohre /  
\*\*For more than 100 m conveying distance we recommend the use of steel pipes

Theoretischer Luftverbrauch in Nm³/min.  
Theoretical air consumption in Nm³/min.

| Schlauchdurchmesser<br>Hose diameter | Luftverbrauch Nm³/min***<br>Air consumption Nm³/min*** |        |         | Nassspritzen / Wet spraying<br>30 – 60 m |
|--------------------------------------|--|--------|---------|--|
|                                      | Trockenspritzen / Dry spraing                          |        |         |  |
|                                      | 60 m   | 120 m  | 180 m   |  |
| 32 / 38 mm                           | 5 – 7  | 6 – 9  | 7 – 10  | 8 – 12                                   |
| 38 / 50 mm                           | 6 – 8  | 7 – 10 | 8 – 12  | 10 – 15                                  |
| 50 / 60 / 65 mm                      | 8 – 12   | 9 – 13 | 10 – 15 | 14 – 19                                  |

\*\*\*Luftverbrauch Daten sind geschätzt und abhängig von Förderleistung, Förderdistanz und Schlauchdurchmesser.  
\*\*\*Air consumption data are an estimated value and are depending on output capacity, conveying distance and hose diameter.

**Achtung:** Für Luftantrieb gilt folgende Formel:  
Förderluft + Luftverbrauch Motor = Total Luftbedarf  
**Caution:** For air motor:  
air consumption for conveying + air consumption for air motor = Total air required





**Aliva-267**  
Betonspritzmaschine  
Concrete Spraying Machine



Innovation & since  
Consistency 1910

## Geschichte

Seit über einem halben Jahrhundert ist Sika involviert in der Herstellung von Rotor-Maschinen für Spritzbeton. In den Anfangsjahren von Aliva wurden noch Schneckenpumpen und Rotormaschinen hergestellt, bis dann in den 60-er Jahren die Rotormaschine die Schneckenpumpe endgültig ablöste. Seither wurden kontinuierlich Verbesserungen und Weiterentwicklungen an Aliva Rotormaschinen vorgenommen. In 2010, zum 100-jährigen Jubiläum der Sika AG, kann Aliva die neueste Generation der Rotormaschinen vorstellen.

Aliva equipment ist bekannt für unübertroffene Qualität und Funktionalität der Beton-Spritzmaschinen, welche von über 70 Vertretungen weltweit verkauft, beraten und betreut werden. Nebst dem Unternehmensbereich der Bauindustrie ist Aliva auch eine der führenden Hersteller von Konverterspritzanlagen für die Stahlindustrie und Spezialanlagen auf TBM's.

## History

Since more than half a century Sika is involved in the production of rotor machines for shotcrete, sprayed concrete. In the early years, Aliva produced screw pumps and rotor machines until the 60ties, when the rotor machines took the upper hand and removed the screw pumps. Ever since the rotor machines of Aliva underwent continuous improvements and developments. In 2010, to the 100year anniversary of Sika AG, Aliva is able to introduce the newest generation of rotor machines.

Aliva equipment is known for superior quality and functionality of its machines, which are represented by more than 70 distributor's world wide. Aside the rotor machines for the construction industry, Aliva is one of the leading producers of equipment for the refractory-, steel industry and special equipment for TBM's.



### Design und Sicherheit

Formschöne Abdeckung aller beweglichen Teile zum Schutz der einzelnen Komponenten und mit Not-Aus ausgerüstet zur Sicherheit der Maschinisten. Die Unfallgefahr wird so auf ein absolutes Minimum reduziert (gemäss EU Norm).

### Design and Safety

Modern designed hoods and covers of all moving components with integrated emergency Stop to guarantee the highest level of safety for the operator. Danger of accidents is reduced to the absolute minimum (according to EU Norm).

### Eingebaute Komponenten

Abhängig vom Typ der AL-267 sind sämtliche Komponenten wie Dosierpumpe für Abbindebeschleuniger, automatische Zentralschmierung und stufenlose Regelung der Rotor-Drehgeschwindigkeit kompakt unter der Maschinenabdeckung eingebaut. Beim Öffnen der Abdeckung werden Rotor und Druckluft automatisch gestoppt.

### Integrated Components

Depending on the Type of AL-267 all components as Dosing Unit for accelerators, automatic central lubrication system and regulation of the rotor-speed are compact integrated under the covers of the machine. Opening the covers stops the rotor from turning and shuts the air-flow automatic.

### Innovatives Spannsystem

Pneumatische Gegendruckfeinabstimmung der Spannvorrichtung (je mehr Leitungs-Länge, desto mehr Spanndruck). Beide Rotoren sind aus Aluminium (15.5 l und 26.5 l). Einfache Handhabung und Reinigung der Komponenten und Lüftung.

### Innovative Clamping Device

Pneumatic fine-tuning of the 3-Pt. clamping device (longer hose length, more pressure on the clamping device). Both rotors made of aluminium. (15.5 l and 26.5 l). Easy handling and cleaning of the components and exhaust.

### Dichtung

Einzigartig entwickeltes Dichtungskonzept! Hochqualitative Stahl auf Stahl Verschleissplatten mit Gummidichtung. Verschleissarm, mit Leistungen bis zu 1500 m<sup>3</sup>/Platte, verringerte Standzeiten und verringerte Verschleiss-Kosten führen zu einem wirtschaftlichen Betrieb.

### Sealing

Unique developed sealing system from Aliva made of special steel on steel with vulcanic dust sealing rotor plates. Very low wear of up to 1500 m<sup>3</sup>/plate guarantee economic operation, low wear and no more interruption for changing plates.



## Technische Daten / Technical Data



| Type<br>Typ   | Voltage<br>Spannung    | Rotor Speed<br>Rotor Geschwindigkeit | Remote Control<br>Fernsteuerung | Autom. Lubrication<br>Autom. Schmierung | EU Norm Conf.<br>EU Norm-konform | CP Finetuning<br>Autom. Spannung | Integr. Dosing Unit<br>Eingeb. Dosierpumpe | Output<br>Fördermenge   |
|---------------|------------------------|--------------------------------------|---------------------------------|---|----------------------------------|----------------------------------|--|-------------------------|
| Standard      | 380–480 V /<br>50–60Hz | 1 Speed / 1 Gang                     | no / nicht erhältl.             | yes / ja                                | yes / ja                         | yes / ja                         | no / nicht erhältl.                        | 9–16 m <sup>3</sup> /h* |
| Advanced      | 380–480 V /<br>50–60Hz | 2 Speed / 2 Gang                     | yes / ja                        | yes / ja                                | yes / ja                         | yes / ja                         | no / nicht erhältl.                        | 6–16 m <sup>3</sup> /h* |
| Advanced Plus | 380–480 V /<br>50–60Hz | 2 Speed / 2 Gang                     | yes / ja                        | yes / ja                                | yes / ja                         | yes / ja                         | yes / ja                                   | 6–16 m <sup>3</sup> /h* |
| Top Plus      | 380–480 V /<br>50–60Hz | stepless / stufenlos                 | yes / ja                        | yes / ja                                | yes / ja                         | yes / ja                         | yes / ja                                   | 4–21 m <sup>3</sup> /h* |

Conveying distance dry spraying horizontal / Förderdistanz Trockenspritzen horizontal max. 400 m\*\*

Conveying distance wet spraying horizontal / Förderdistanz Nassspritzen horizontal max. 30–40 m

Rotor size / Rotorinhalt 15.5 l / 26.5 l

All types available on double axle or skid mounted / Alle Typen sind auf Rädern oder Kufen verfügbar

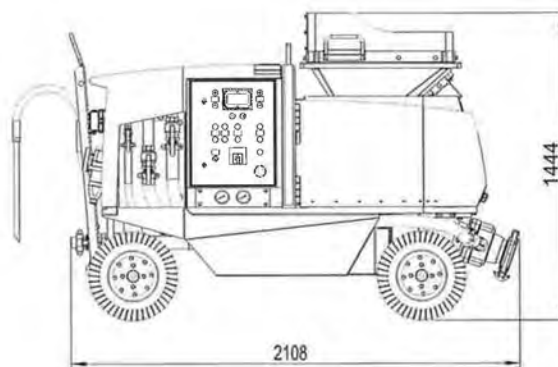
Air consumption dry spraying / Luftverbrauch Trockenspritzen 10–17 m<sup>3</sup>/h

Air consumption wet spraying / Luftverbrauch Nassspritzen 12–19 m<sup>3</sup>/h

Weight approx. / Gewicht ca. 1 500 kg

\*Theoretical filling degree / theoretische Füllmenge 100 %

\*\*Aliva suggests the use of steel pipes over 80 m conveying distance / Aliva empfiehlt Stahlleitungen ab 80 m Leitungslänge



## Anwendungen

Die AL-267 ist eine universelle Maschine zum Verarbeiten von Trocken- und Nassspritzbeton im Dünnstromverfahren. Durch modulare Bauweise kann die AL-267 jedem Bedürfnis angepasst werden. Mit einer Abdeckung der Förderleistung von 4–21m³/h bietet sie sich für eine Anzahl von Anwendungen an wie: Baugrubensicherungen, Tunnelbau, Bergbau, Schwimmbadbau, Hangsicherungen, Felssicherungen, Wasserkraftwerke, etc.! Handlichkeit, Flexibilität und Funktionalität zeichnen die AL-267 aus.

## Application

The AL-267 is a multi-functional machine for wet- and dry application of sprayed concrete in the thin stream method. The modular construction allows the right type for all requirements. With an output capacity of 4–21m³/h the range of applications covers: Excavation-protection, rock stabilization, slope protection, swimming pool construction, hydro-power projects, tunnelling, mining etc.! Easy handling, flexibility and functionality are unique for the AL-267.



Betonanierungen mit Spritzbeton im Trockenspritzverfahren garantieren eine gute Haftung des Materials und eine ausgezeichnete Verdichtung. Je nach Anforderung kann die AL-237, die AL-257 oder die AL-267 eingesetzt werden.

Die AL-267 im Einsatz auf einer Tunnelbohrmaschine (TBM) bei der Kieshinterfüllung von Tübbing. Ausgerüstet mit einer Spezialfernbedienung mit zwei Anzeigen und einer automatischen Stopferabschaltung machen Aliva zum Pionier bei der Weiterentwicklung von Rotormaschinen für den Einsatz auf TBMs.

Der Spritzmanipulator AL-302 aufgebaut auf einem Kleinbagger ist die ideale Kombination um mit der AL-267 eine grosse Leistung, bis zu 21 m³ pro Stunde, zu fördern. Baugruben- und Felssicherungen sowie andere Anwendungen können damit effizient und ökonomisch ausgeführt werden.

Aliva setzt auch neue Massstäbe bei der Produktion von kundenspezifischen Anlagen im Tunnelbau und der Industrie. Für Spritzbetonapplikationen, Kieshinterfüllung oder für Unterhaltsarbeiten in der Stahl- oder Zementindustrie, Aliva hat immer die passende Antwort.

Concrete renovation with sprayed concrete in the dry-shotcrete method guarantees for good bond strength and impeccable compaction. Depending on the requirement one of the Aliva machines is the right one for your application (AL-237, AL-257, AL-267).

The AL-267 is working on a TBM for gravel back-filling of the segmental-lining. Equipped with a special remote control with two displays and automatic blockage recognition is making Aliva once more to a pioneer for Rotor-machines on TBMs.

The shotcrete manipulator AL-302 mounted on a small excavator is the ideal combination in order to run the AL-267 with high, up to 21 m³ per hour, output. With this combination, slopes, excavations and rock can be protected in an efficient and economical way.

Aliva sets new standards for the production of customer specific equipment for sprayed concrete in tunnels, backfilling of gravel or for the maintenance of the steel- and cement-industry. Aliva has always the right answer.

**Authorized Distributors:**  
**Multicrete Systems Inc.**  
 Unit 9-106 De Vos Road  
 Winnipeg, Manitoba R3T5Y1  
 204-262-5900



BR0065d00310 © Sika Schweiz AG



**Innovation & Consistency** | since 1910