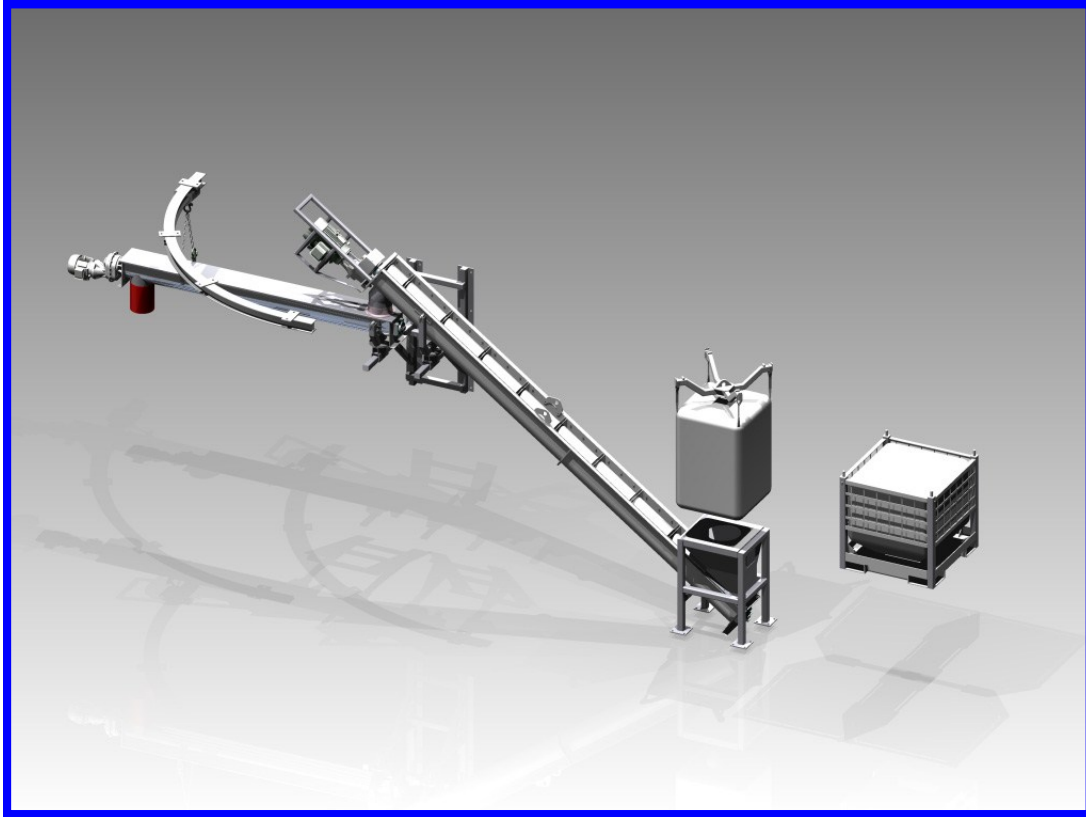




www.multicretesystems.com

MULTICRETE PORTABLE LOAD/MIX SYSTEM



- ◆ Feed hopper can be used with bulk bags or cassettes
- ◆ Feed hopper can be extended to accept multiple bulk bags or cassettes
- ◆ Discharge auger swings against drift wall when not in use, allowing clearance for rock haulers etc.
- ◆ Discharge auger can be “plumbed” with water nozzles to provide the “perfect” wet mix shotcrete
- ◆ Station is fastened to drift wall and back, can be relocated as needed
- ◆ All auger flighting 3/8” thick abrasion resistant steel
- ◆ Designed to a 1.4 or better service factor

MULTICRETE