

ALIVA 302

Robotic Telescoping Spray Arm

Machine

The telescope spraying arm Aliva®-302 is used for the application of sprayed concrete in mines, small galleries and excavations



With its simple and rigid construction, the Aliva®-302 is very suitable for the mounting onto different types of carriers.

The telescope spraying arm Aliva®-302 is available in 2 different types:

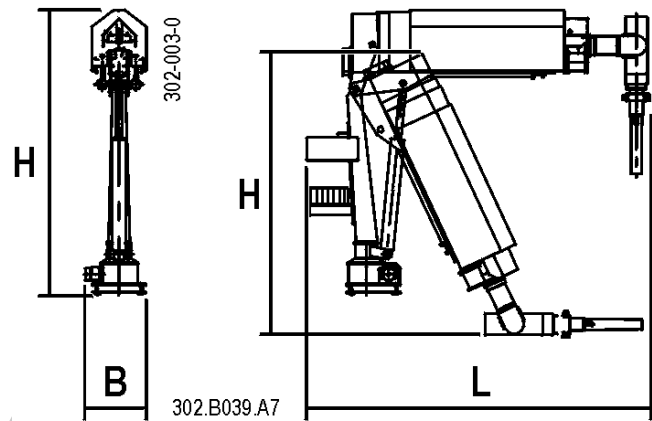
Typ PROP

Electric remote control (wireless remote control optional) hydraulic aggregate with electric motor

Typ AIR

Hydraulic remote control, hydraulic aggregate with air motor

Aliva-302 Properties



Transport length 2.45 m
Transport width 0.5 m
Transport height 2.0 m
Weight arm approx. 550 kg
Weight aggregate approx. 200 kg (empty)

Working Range

