

Aliva[®]-237

Concrete Spraying Machine

Description The Aliva-237 is a sturdy concrete spraying machine for wet and dry spraying process.

Uses Thanks to its variable output, the Aliva-237 can be used for small jobs, such as joint filling, as well as for extensive slope consolidation work.

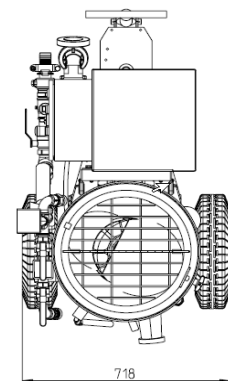
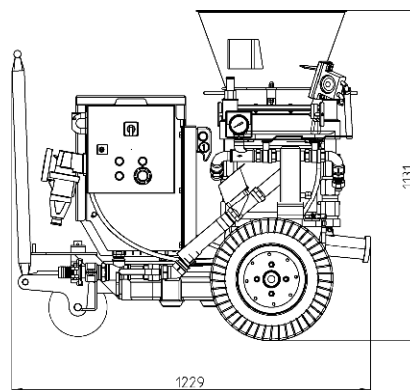
The Aliva-237 is available in the following versions:

- STANDARD
Electric drive, single speed
- TOP
Electric drive, with FC for variable rotor speed
- AIR
With air drive, variable rotor speed

Technical data

Dimensions

With chassis



Length L	
STANDARD / AIR	1229 mm
TOP	1229 mm
Width	718 mm
Height H	
with rotor 0,7 + 2,0 L	980 mm
with rotor 3,6 L	1050 mm
with rotor 5,6 L	1130 mm
Weight	
STANDARD / AIR	approx. 320 kg
TOP	approx. 450 kg
Content of hopper	40 liters



Drive	Electric (STANDARD / TOP)	With air motor (AIR)
	Motor output 2,2 kW Speed range STANDARD 50Hz1500 rpm 60Hz1800 rpm TOP 700–1800 rpm Voltages STANDARD 380-415 V 50 Hz 400/440 V 60 Hz TOP 380-480 V 50/60 Hz Protection IP 55 / IP 65 (FC)	Only 4 th Quarter 2010 available

Theoretical conveying	Conveying (only dry)					
	Rotor L	Hose Ø mm	Conveying output *m ³ /h		max. grain mm	max. conveying distance (m) horizontal / vertical
STANDARD			TOP			
	0,7	32	0,4	0,2-0,5	6	150/60 m**
	2,0	32 + 38	1,1	0,6-1,4	12	
	3,6	32 + 38	2,0	1,1-2,5	12	
	5,6	50	3,2	1,7-4,0	16	

* with theoretical filling degree of 100%, if motor with 60 Hz = 20% higher conveying capacity.

** more than 80 m conveying distance, use steel tubes.

Theoretical air consumption	Hose Ø mm	Air consumption Nm ³ /min. ***		<p>*** Air consumption data are approximate values and are depending on conveying output, conveying distance and hose diameter.</p> <p>Caution: For the configuration AIR (with air motor) it has to be considered: Total air consumption = Air consumption for conveying + Air consumption for air motor!</p> <p>1 Nm³/min = 35 cfm</p>
		Dry spraying		
		60 m	120 m	
	32	3	4	
38	5	6		
50	8	10		

Safety instructions

Important safety regulations	For the safe, correct operating of the unit please consult the current machine operating manual. Sika Schweiz AG cannot accept any liability for injury or damages caused by improper use, incorrect or inadequate operation, maintenance or repairs.
-------------------------------------	---



Legal references

Information given, in particular suggestions made for use and application of our products are based on our current knowledge and experience in the normal case at the time of printing. In practice, the difference in materials, substrates and environmental conditions can cause deviation from this information. Sika guarantees for its products the compliance of technical characteristics according to the Technical Data Sheets up to expiry of shelf life. Users of the products must always consult the latest edition of Technical Data Sheet under «www.sika.com». Our current General Conditions are applicable.

Aliva equipment



Aliva-237 TOP



Distributed By:



Multicrete Systems Inc.
360-555 Hervo Street • Winnipeg, Manitoba R3T 3L6 CANADA •
Phone: 204-262-5900 Fax: 204-262-5909 •
www.MULTICRETESYSTEMS.com

