



MINEPRO/LANGFORD GROUT MIXERS & PUMPS

SPECIFICATION CHART

Specifications	MINEPRO MP3	MINEPRO MP3	MINEPRO MP3	MINEPRO CAM	LANGFORD LAH	LANGFORD LEH
Power System	Air/Hydraulic	Electric/Hydraulic	Host Vehicle	Air/Mechanical	Air/Hydraulic	Electric/Hydraulic
Assembly	Standard Skid	Standard Skid	Standard Skid	2-Wheeled Trailer	Standard Skid	Standard Skid
Length	66" (168 cm)	66" (168 cm)	44" (112 cm)	51" (130 cm)	60" (153 cm)	60" (153 cm)
Width	40" (102 cm)	40" (102 cm)	29" (74 cm)	28" (71 cm)	36" (92 cm)	36" (92 cm)
Height	57" (145 cm)	57" (145 cm)	44" (112 cm)	55" (140 cm)	50" (127 cm)	50" (127 cm)
Weight	1600 lb (726 kg)	1600 lb (726 kg)	605 lb (275 kg)	350 lb (159 kg)	1275 lb (578 kg)	1275 lb (578 kg)
Capacity	40 gal (180 l)	40 gal (180 l)	40 gal (180 l)	19 gal (85 l)	32 gal (145 l)	32 gal (145 l)
Cement	12x20 kg bags	12x20 kg bags	12x20 kg bags	5 kg bags	9x20 kg bags	9x20 kg bags
Water	72 l	72 l	72 l	30 l	54 l	54 l
Operating Weight	2350 lb (1066 kg)	2350 lb (1066 kg)	1355 lb (615 kg)	627 lb (290 kg)	1675 lb (760 kg)	1675 lb (760 kg)
Power Requirements						
Air Requirements	120 psi @ 660 cfm	-	-	100 psi @ 150 cfm	120 psi @ 660 cfm	-
Electric Requirements	-	575 V AC	-	-	-	575 V AC
Hydraulic Flow	-	-	12 gal/min	-	-	-
Hydraulic Pressure	-	-	1400 psi	-	-	-
MSRP						



DISTRIBUTED AND SOLD BY
MULTICRETE SYSTEMS INC.
www.multicretesystems.com





MINEPRO/LANGFORD GROUT MIXERS & PUMPS

SPECIFICATION CHART

Specifications	LANGFORD LAM	LANGFORD	Specifications	MINEPRO KANUK	MINEPRO KANUK	MINEPRO KANUK	MINEPRO KANUK
Power System	Air/Mechanical	Host Vehicle	Power System	Air/Hydraulic	Electric/Hydraulic	Diesel/Hydraulic	Host Vehicle
Assembly	Standard Skid	Standard Skid	Assembly	Standard Skid	Standard Skid	Standard Skid	Standard Skid
Length	60" (153 cm)	50" (127 cm)	Length	72" (183 cm)	72" (183 cm)	72" (183 cm)	72" (183 cm)
Width	32" (81 cm)	29" (74 cm)	Width	48" (122 cm)	48" (122 cm)	48" (122 cm)	48" (122 cm)
Height	44" (112 cm)	36" (92 cm)	Height	53" (133 cm)	53" (133 cm)	53" (133 cm)	53" (133 cm)
Weight	950 lb (431 kg)	770 lb (350 kg)	Weight	1400 lb (635 kg)	1400 lb (635 kg)	1900 lb (862 kg)	900 lb (635 kg)
Capacity	32 gal (145 l)	32 gal (145 l)	Capacity				
Cement	9x20 kg bags	9x20 kg bags	Mixing Hopper	19 gal (85 l)	19 gal (85 l)	19 gal (85 l)	19 gal (85 l)
Water	54 l	54 l	Holding Hopper	19 gal (85 l)	19 gal (85 l)	19 gal (85 l)	19 gal (85 l)
Operating Weight	1300 lb (590 kg)	1170 lb (531 kg)	Operating Weight	1932 lb (876 kg)	1932 lb (876 kg)	2433 lb (1101 kg)	1432 lb (650 kg)
Power Requirements			Power Requirements				
Air Requirements	120 psi @ 660 cfm	-	Air Requirements	120 psi @ 660 cfm	-	-	-
Electric Requirements	-	-	Electric Requirements	-	575 V AC	-	-
Hydraulic Flow	-	12 gal/min	Hydraulic Flow	-	-	-	12 gal/min
Hydraulic Pressure	-	1400 psi	Hydraulic Pressure	-	-	-	1400 psi
MSRP			MSRP				



DISTRIBUTED AND SOLD BY
MULTICRETE SYSTEMS INC.
www.multicretesystems.com

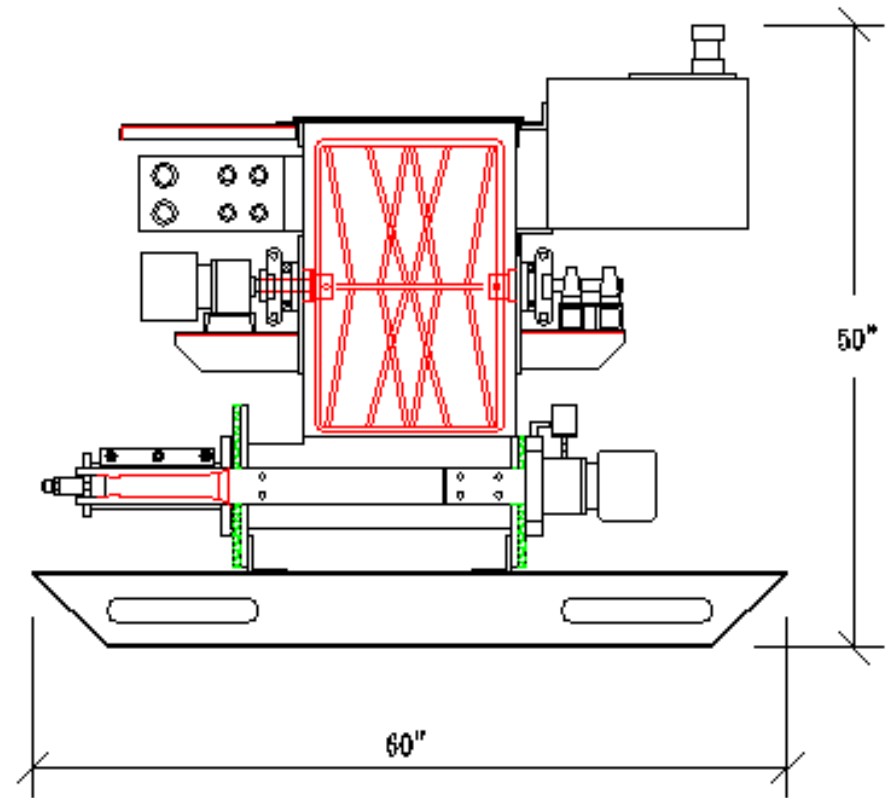




MINEPRO/LANGFORD GROUT MIXERS & PUMPS

DIMENSION CHART

Minepro MP3



DISTRIBUTED AND SOLD BY
MULTICRETE SYSTEMS INC.

www.multicretesystems.com

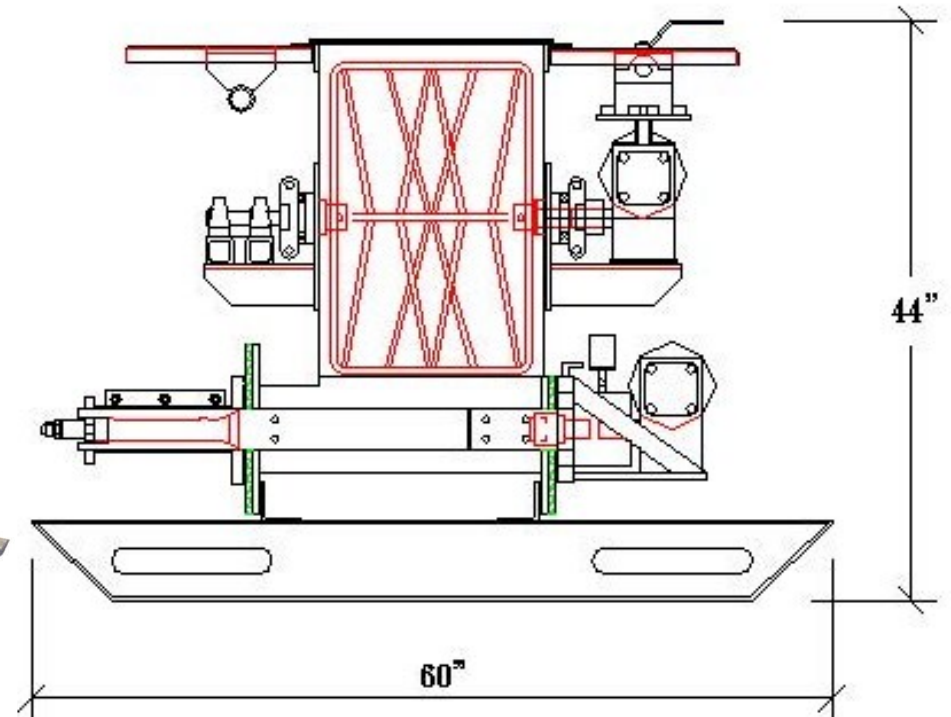




MINEPRO/LANGFORD GROUT MIXERS & PUMPS

DIMENSION CHART

Minepro LANGFORD



DISTRIBUTED AND SOLD BY
MULTICRETE SYSTEMS INC.

www.multicretesystems.com

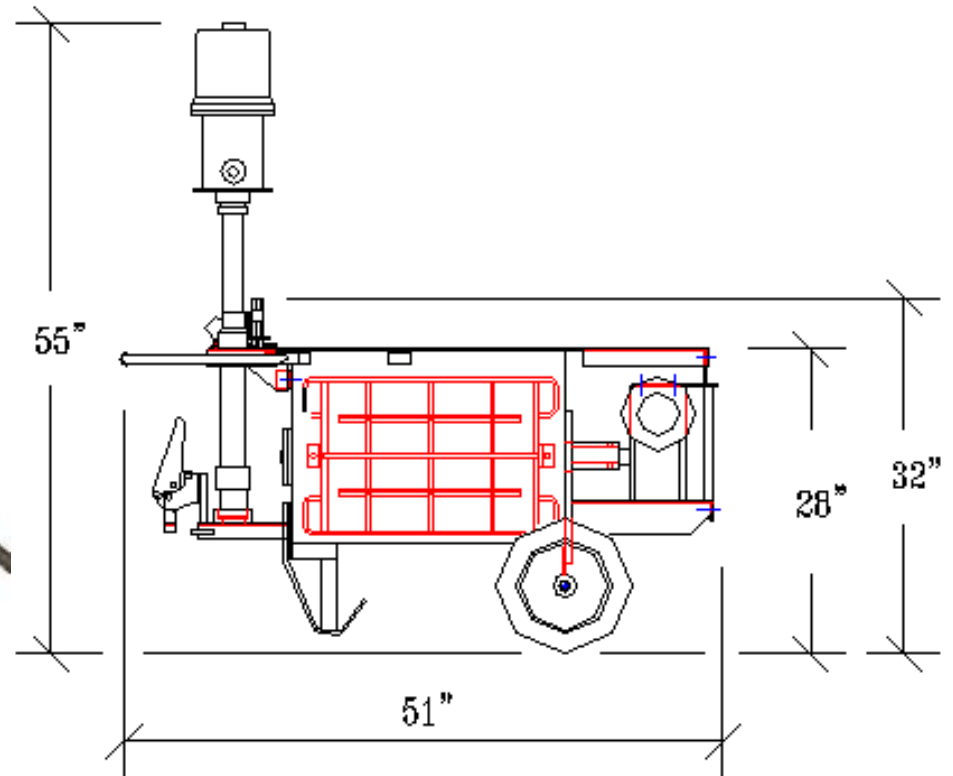




MINEPRO/LANGFORD GROUT MIXERS & PUMPS

DIMENSION CHART

Minepro CAM



DISTRIBUTED AND SOLD BY
MULTICRETE SYSTEMS INC.

www.multicretesystems.com

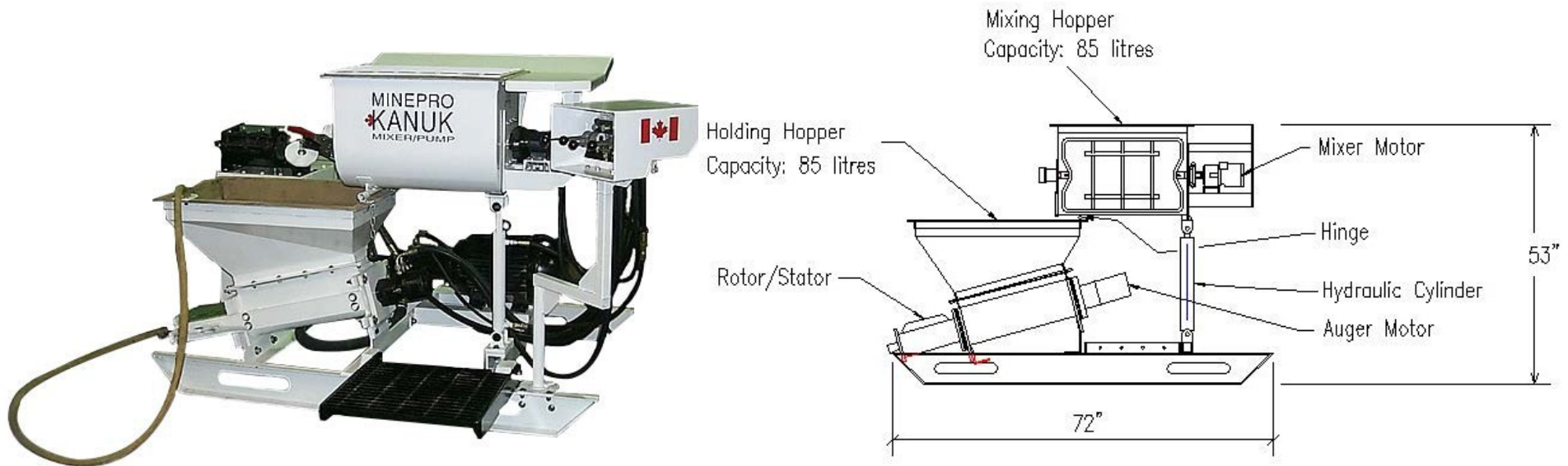




MINEPRO/LANGFORD GROUT MIXERS & PUMPS

DIMENSION CHART

Minepro KANUK



DISTRIBUTED AND SOLD BY
MULTICRETE SYSTEMS INC.

www.multicretesystems.com

